





CENTRUM™ LITTER BIN

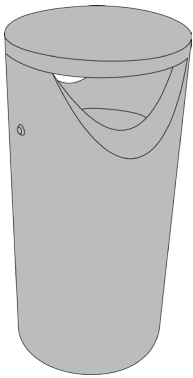
INSTRUCTIONS

IMPORTANT NOTE: ENSURE THAT ALL RELEVANT PERSONNEL READ THESE INSTRUCTIONS PRIOR TO USE

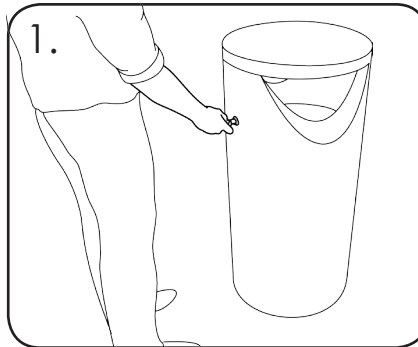
IMPORTANT NOTE:

 **THE BIN MUST BE SITED ON LEVEL GROUND TO ENSURE CORRECT ALIGNMENT OF THE DOOR AND BODY. IF YOU ARE NOT USING GLASDON FIXINGS YOU MUST ENSURE THAT 50MM DIAMETER WASHERS ARE USED IN ORDER TO SECURE THE BIN WHEN GROUND FIXING.** 

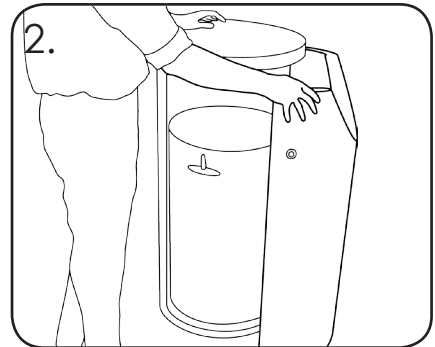
OPERATING INSTRUCTIONS



CENTRUM LITTER BIN



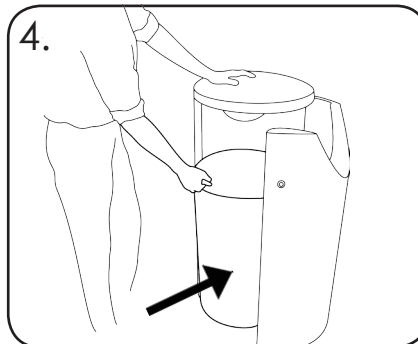
1. Using the triangular-shaped key provided, turn the key anti-clockwise to unlock the door.



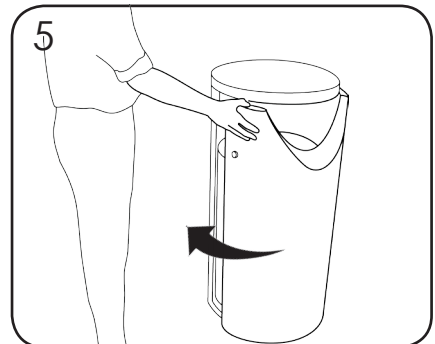
2. Open up the door to access the liner.



3. Slide the liner out of the bin by pulling on the Liner handle.




4. To replace, lift the liner inside the bin and rest it on the Internal shelf using the liner handle.



5. Slam-shut the door ensuring the door is fully locked into position.

IMPORTANT NOTE: PLEASE ENSURE THAT ALL RELEVANT PERSONNEL READ THE POINTS LISTED WITHIN THIS LEAFLET AND THAT A COPY IS GIVEN TO STAFF INVOLVED WITH THE INSTALLATION AND MAINTENANCE OF THIS PRODUCT.

SAFETY NOTE: PLEASE REFER TO 'THE MANUAL HANDLING OPERATIONS REGULATIONS 1992' DURING HANDLING.

 **Glasdon** AND CENTRUM ARE TRADEMARKS OR REGISTERED TRADEMARKS OF GLASDON GROUP OR ITS SUBSIDIARIES IN THE U.K. AND OTHER COUNTRIES

- A planned maintenance schedule or regular inspection is recommended, replacing components as necessary.
- Replacement components are available direct from GLASDON.
- GLASDON cannot be held responsible for claims arising from incorrect installation, unauthorised modifications or misuse of the product.

Issue 1 - OCTOBER 2016 - Stock No. C000/0486 - DWG No. 07B-365-02

© Copyright OCTOBER 2016

Glasdon UK Ltd reserve the right to alter specifications without prior notice.



Glasdon U.K. Limited

Preston New Road
BLACKPOOL

Lancashire FY4 4UL

Tel. : 01253 600410

Fax : 01253 792558

e-mail: sales@glasdon-uk.co.uk

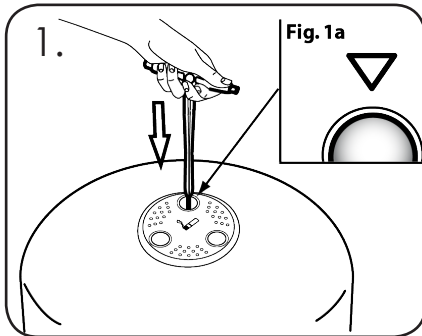
web: www.glasdon.com

CENTRUM™ LITTER BIN

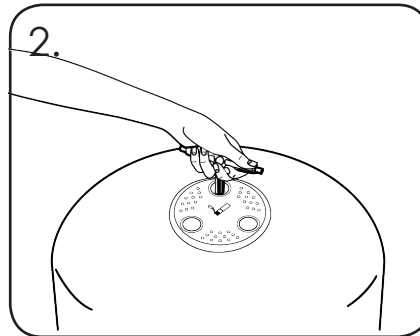
ASHTRAY OPERATING INSTRUCTIONS

EMPTYING SEQUENCE

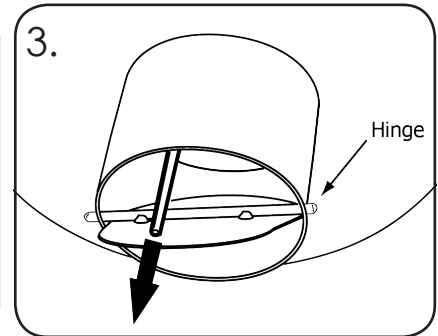
The ashtray must only be emptied when the liner of the bin is also being emptied



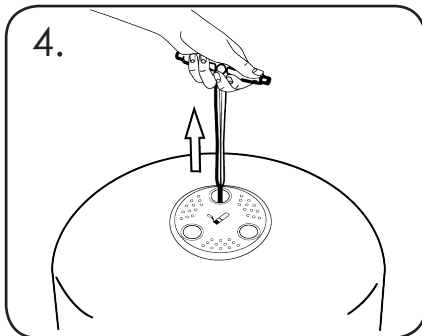
1. To empty the ashtray the plunger must be inserted into the rear hole marked with an arrow (see Fig. 1a).



2. Push the plunger down through the aperture.



3. The plunger will push the trapdoor open to empty the ashtray's contents into the main liner of the litter bin.



4. Pull the plunger upwards to allow the ashtray trapdoor to close automatically.

IMPORTANT NOTE:
FOR SAFE OPERATION ENSURE THE ASHTRAY BASE FLAP IS FREE FROM DEBRIS AND FULLY CLOSED AFTER EMPTYING.

CLEANING

To ensure smooth operation the undercarriage of the ashtray should be cleaned regularly - particularly around the hinge to ensure that no ash or grime hinders the mechanism. We recommend using a soft bristle brush and water with mild detergent.

CENTRUM LITTER BIN™

USER INSTALLATION INSTRUCTIONS AND FIXING INSTRUCTIONS

IMPORTANT NOTE: TO ENSURE A SECURE AND ROBUST INSTALLATION THE BIN SHOULD BE SITED ONTO A SOUND CONCRETE FOUNDATION. WE STRONGLY RECOMMEND THAT THE BIN IS **NOT** INSTALLED ONTO TARMAC OR BLOCK PAVED AREAS.

INSTRUCTIONS FOR CONCRETE FIXING KIT (INTO PREPARED CONCRETE FOUNDATION)

Included Kit Contents:

Concrete Fixing Bolt (M10x170mm) c/w Nut and Washer

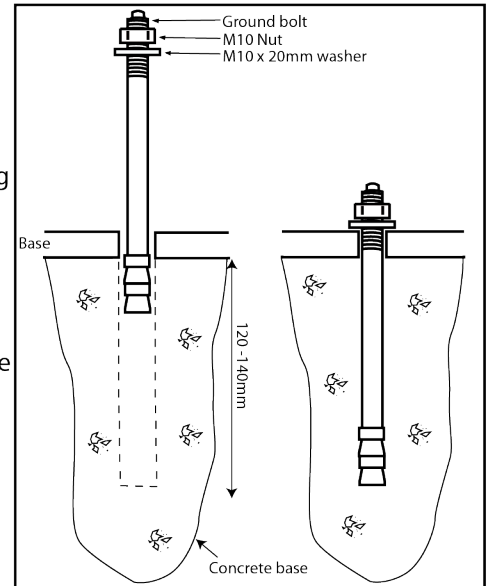
Tools: Spanner/Tube Spanner 17mm

Appropriate Electric Drill, M10 Masonry Drill Bit

DISTANCE FROM EDGE OF FOUNDATION TO CENTRE OF GROUND BOLT TO BE NO LESS THAN 110MM

Permanently sited onto a prepared concrete ground site (20-30N/mmsq) utilising 3 or 4 M10 X 170mm ground fixing bolts.

- 1) Position bin onto siting area ensuring it is the correct distance away from the edge of the concrete and is in the correct orientation with regard to the apertures.
- 2) From the inside of the bin mark hole positions onto the concrete through the fixing holes in the base of the bin with a 10mm diameter masonry drill. Remove the bin.
- 3) Using a 10mm diameter masonry drill bit, drill and clean out anchor holes to a minimum depth of 130mm. Position bin back over the drilled holes.
- 4) Assemble the ground bolts as shown in diagram opposite ensuring only 2 or 3 threads are showing above the nut. Drive the ground bolts through the holes in the base of the bin and into the holes in the concrete.
- 5) Tighten nut with correct spanner until fixings are secure. Max recommended torque setting - 20lbs/ft (27Nm).
- 6) In the event of the bin being removed, the anchors may be driven down into the concrete to ground level.



OPTIONAL EXTRA INSTRUCTIONS FOR PAVING FIXING KIT (INTO PRE-LAID CONCRETE PAVING SLABS)

*** THIS IS AN OPTIONAL EXTRA PLEASE CONTACT GLASDON SALES DEPT ***

Kit Contents: Pavement Fixing Bolt (M10x100mm)
c/w Nut and Washer x 3

Tools: Spanner/Tube Spanner 17mm
Appropriate Electric Drill, M10 Masonry Drill Bit

DISTANCE FROM EDGE OF FOUNDATION TO CENTRE OF GROUND BOLT TO BE NO LESS THAN 110MM

Where the above method can not be achieved, a satisfactory alternative method is to bolt down onto existing securely bedded down concrete paving areas utilising 3 or 4 100mm ground fixing bolts.

- 1) Position bin onto siting area ensuring it is the correct distance away from the edge of the concrete and is in the correct orientation with regard to the apertures.
- 2) From the inside of the bin mark hole positions onto the paved area through the fixing holes in the base of the bin with a 10mm diameter masonry drill. Remove the bin.
- 3) Using a 10mm diameter masonry drill bit, drill anchor holes through pavement flag. Position bin back over the drilled holes.
- 4) Assemble the ground bolts as shown in the diagram opposite ensuring only 2 or 3 threads are showing above the nut. Drive the ground bolts through the holes in the base of the bin and into the holes in the paving slab.
- 5) Tighten nut with correct spanner until fixings are secure. Max recommended torque setting - 20lbs/ft (27Nm).
- 6) In the event of the bin being removed from pavement area the anchors may be driven down into the pavement flag to a ground level.

